

MSO 20 SPRAYER CART ASSEMBLY INSTRUCTIONS

NOTE: To protect the paint place a flat washer beneath the bolts and lock nuts when they are in direct contact with the painted surface.

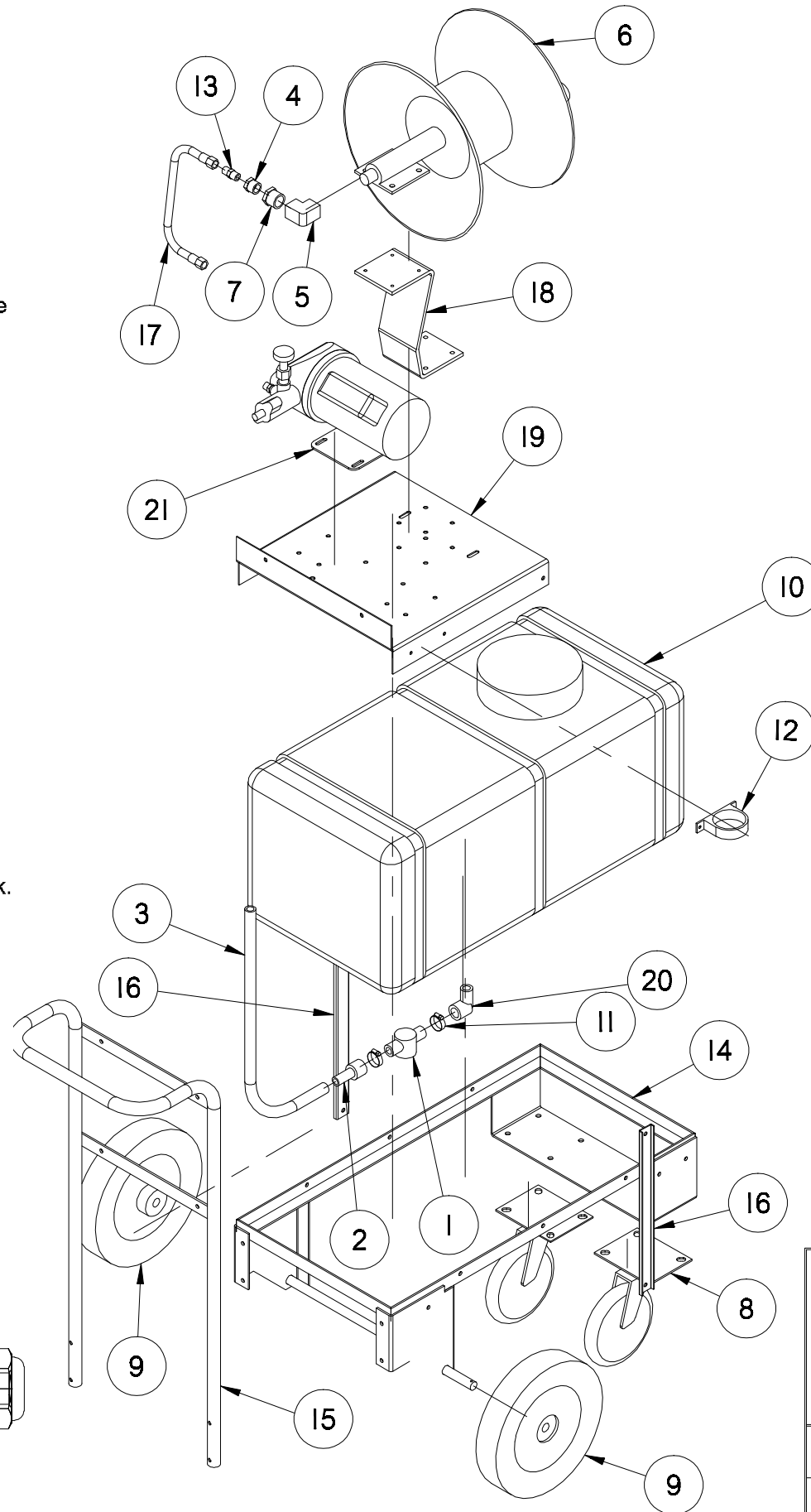
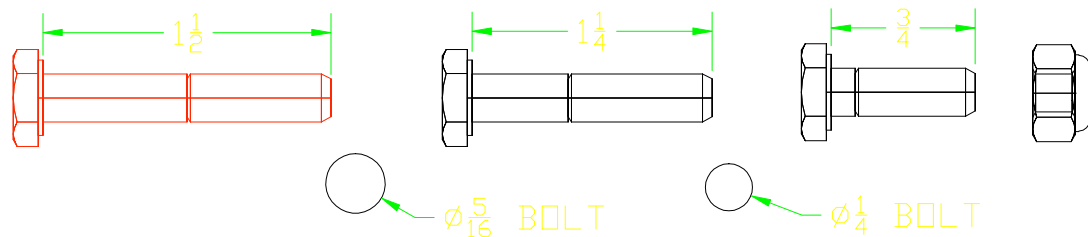
Refer to drawing **D11715** to see relationship and description of parts.

- Attach casters (Item 8) to the front of the cart (Item 14). Place a flat washer on the 5/16-18 X 3/4 long hex bolts inserting them through the caster and into the cart. Insure flat washers and lock nuts are on the top side.
- Attached the handle (Item 15) to the cart (Item 14) using 1/4-20 X 1-1/2 inch long hex head bolts. Place a flat washer on the bolt and then insert the bolts through the handle in into the cart. Place a flat washers and lock nuts on from the back and tighten.
- Attach the pump bracket (Item 19) to the lower cross strap of the handle (Item 15) using 1/4-20 X 3/4 long hex bolts, flat washers and lock nuts.
- Attach the side legs (Item 16) to the sides of the pump bracket (Item 19) and cart (Item 14) using 1/4-20 X 3/4 long hex bolts and flat washers. Lock nuts and flat washers should be to the outside of the cart.
- Mount the MSO pump (Item 21) to the pump bracket (Item 19) using 1/4-20 X 1 1/4 long bolts. Insert the bolts with flat washers down through the motor flange through the rubber mount and down through the pump bracket.
- Assemble bottom draw kit to tank as shown on separate drawing.
- Route the clear return line from the pump through the cover vent hole into the tank.

▪ **OPTIONAL HOSE REEL ASSEMBLY**

- Attach the reel mount (Item 18) to the pump bracket (Item 19) using 1/4-20 X 3/4 long hex head bolts. Place the bolts through the reel mount and into the pump bracket. **Note:** The reel mount may be mounted so the reel can be unwound either to the side or to the front, your choose.
- Attach the reel (Item 5) to the reel bracket (Item 18) using 1/4-20 X 3/4 long hex bolts, flat washers and lock washers.
- Attach the pressure line (Item 17) from the pump (Item 21) to the reel (Item 5).
- Attach gun to the end of the hose (not shown)

10/16/2006



Item Number	Document Number	Title	QTY
1*	14297	FILTER HOUSING	1
2*	1435-005	1/2 FPT TO 1/2 BARB	1
3*	2T05R0812	1/2 ID HOSE	1
4*	42060	BUSHING 1/2MPT X 1/4 FPT	1
5*	42070	1/2 ELBOW	1
6*	4413	HOSE REEL	1
7*	48335K211	REDUCING BUSHING	1
8*	500001	6" CASTER	2
9*	510001	10 X 2 WHEEL	2
10*	610020	20 GALLON TANK	1
11*	62003	CLAMP	2
12*	8871T39	GUN HOLDER	1
13*	896-WM	1/4 M TO M FITTING	1
14*	D11093A	MSO 20 CART	1
15*	D11096	HANDLE ASSEMBLY	1
16*	D11121	SIDE LEG	2
17	D11306	PRESSURE LINE	1
18	D11716A	Z BRACKET	1
19	D11717	UNIVERSAL SHELF	1
20*	M412-005	1/2 STREET ELBOW	1
21*	MSO PUMP	MSO PUMP	1



MSO 20E CART WITH REEL
 with UNIVERSAL PLATE & Z BRACKET

DR	RJL	CK	APP	SIZE	B	DWG NO.	D11715	SHEET
DWG SCALE				1=4		PLOT SCALE		DATE 10-13-2006